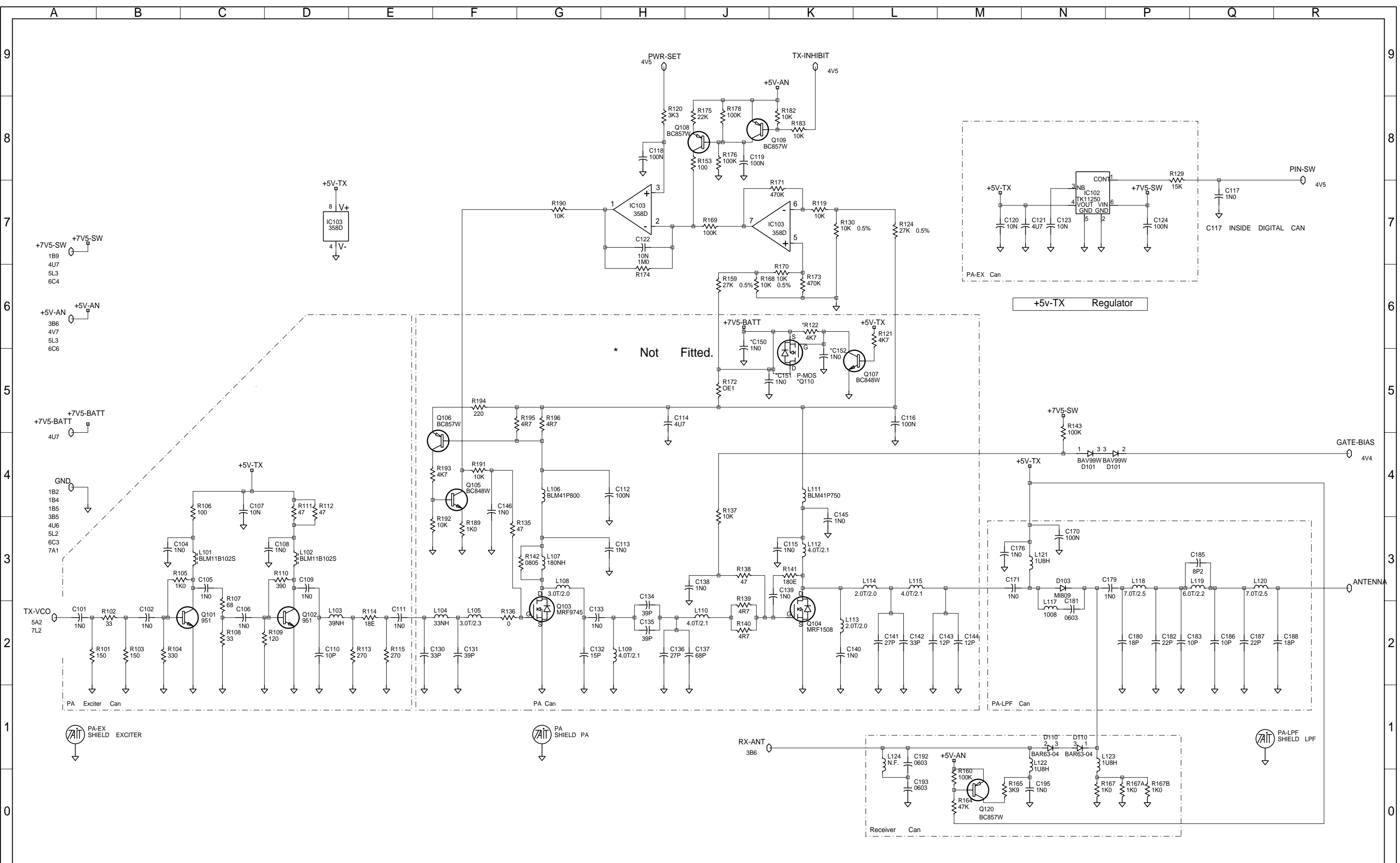


03 A	UPDATE TO INCL NEW PA LINEUP	DJWM/J				29/04/98
02 A	CLONED FROM UHF -07B AND UPDATED	DBH		DBH	CI	31/03/98
REV/ISS	AMENDMENTS	DRAWN	CHKD	D.O.	APVD	DATE

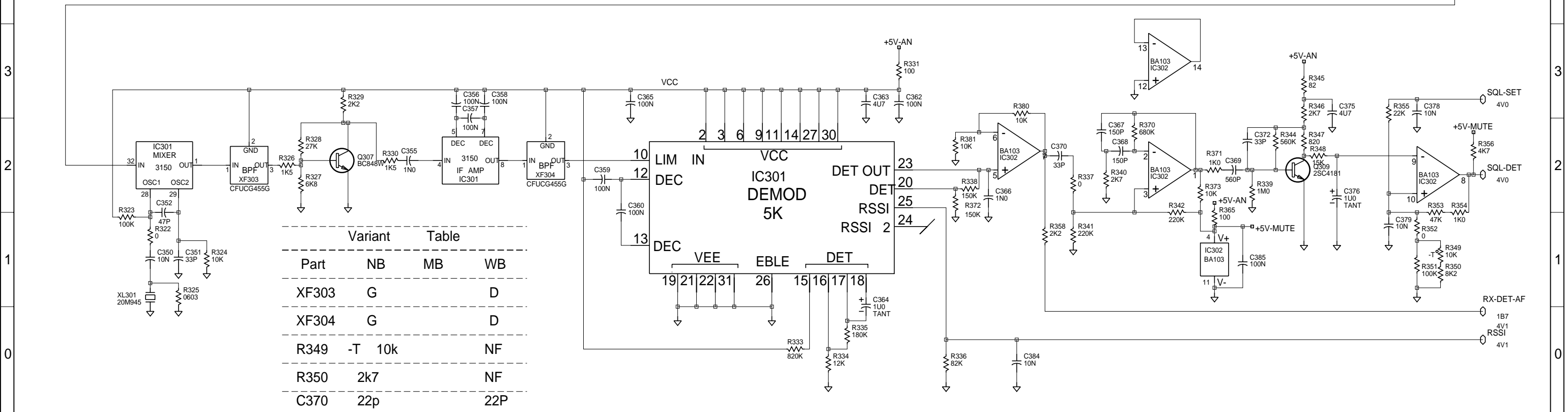
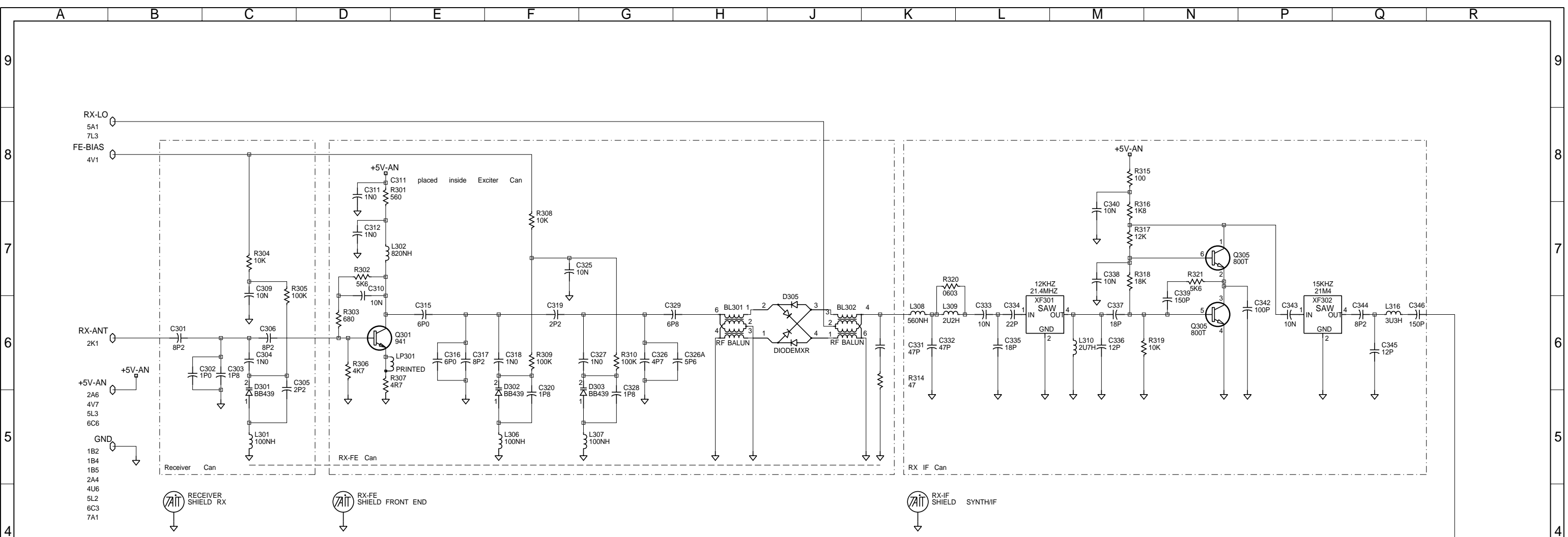
**VHF**  
Tait Orca

© TAIT ELECTRONICS  
 ORCA :TP010-3122 136-174MHZ  
 SYSTEM DIAGRAM  
 IPN: 220-01401-03 ISSUE: A ID: 2.S.C. 1  
 PROJECT: TAIT ORCA DESIGNER: DBH FILE NAME: 140103A FILE DATE: 29-04-98 NO.SHEETS: 7



03A	NEW PA LINEUP (DW,BC-S,LL)	DJW			29/04/98
REV/ISS	AMENDMENTS	DRAWN	CHKD	D.O.	APVD DATE

© TAIT ELECTRONICS  
 ORCA :TP010-3122 136-174MHZ  
 POWER AMPLIFIER  
 IPN: 220-01401-03 ISSUE: A ID: 2.S.C. 2  
 PROJECT: TAIT ORCA DESIGNER: DBH FILE NAME: 140103A FILE DATE: 29-04-98 NO.SHEETS: 7



Variant Table

Part	NB	MB	WB
XF303	G		D
XF304	G		D
R349	-T	10k	NF
R350	2k7		NF
C370	22p		22P
C369	330P		330P

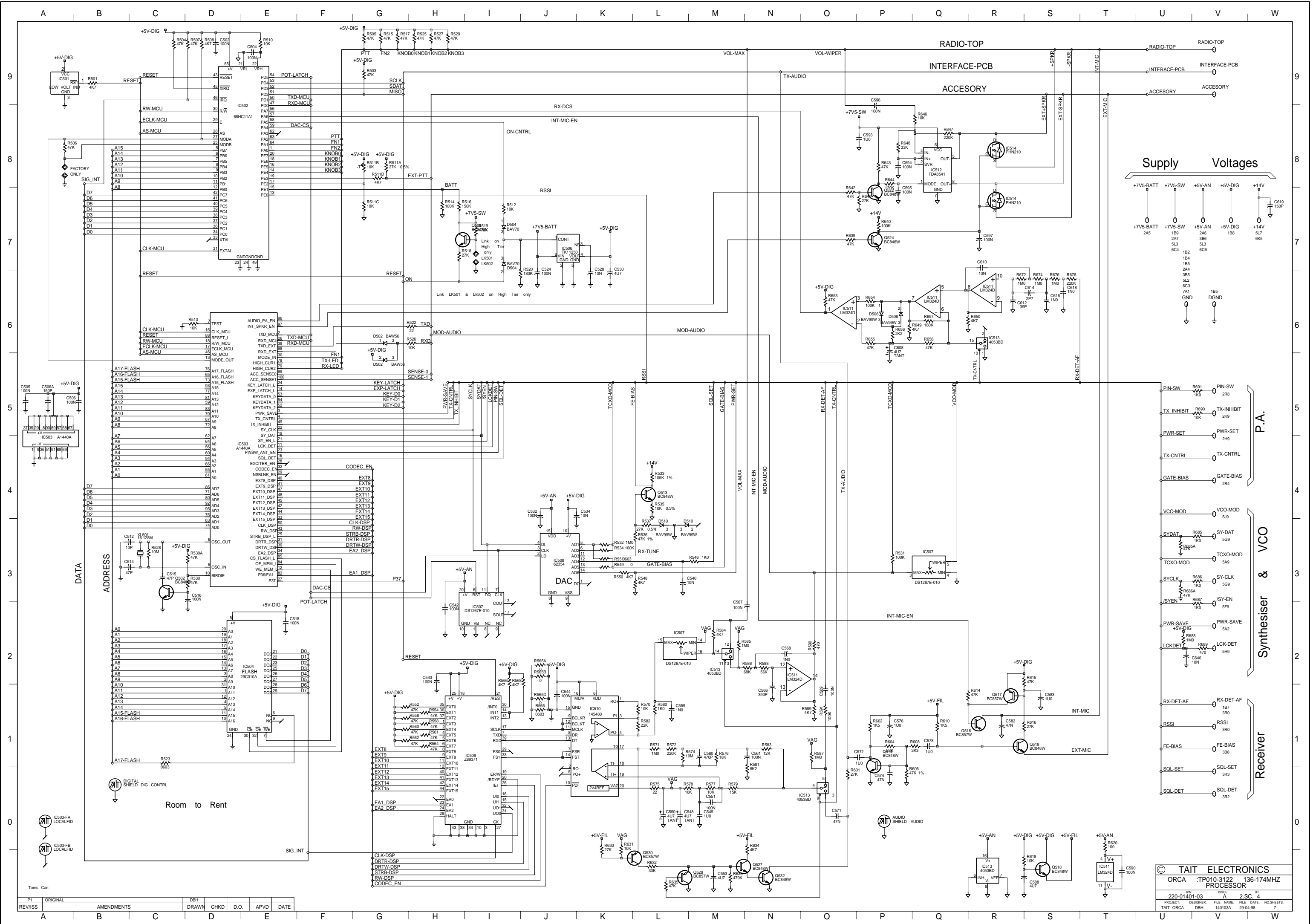
03 A	COMP.VALUE CHANGES IN FRONT END.	DJW			28/04/98
REV/ISS	AMENDMENTS	DRAWN	CHKD	D.O.	APVD DATE

© TAIT ELECTRONICS

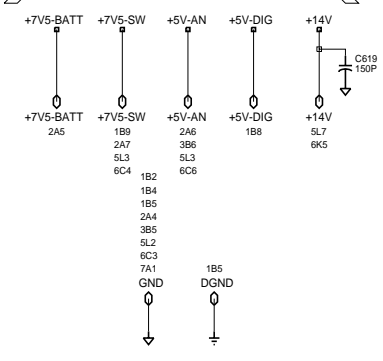
ORCA :TP010-3122 136-174MHZ RECEIVER

IPN: 220-01401-03  
ISSUE: A  
ID: 2.S.C. 3

PROJECT: TAIT ORCA  
DESIGNER: DBH  
FILE NAME: 140103A  
DATE: 29-04-98  
NO.SHEETS: 7



**Supply Voltages**

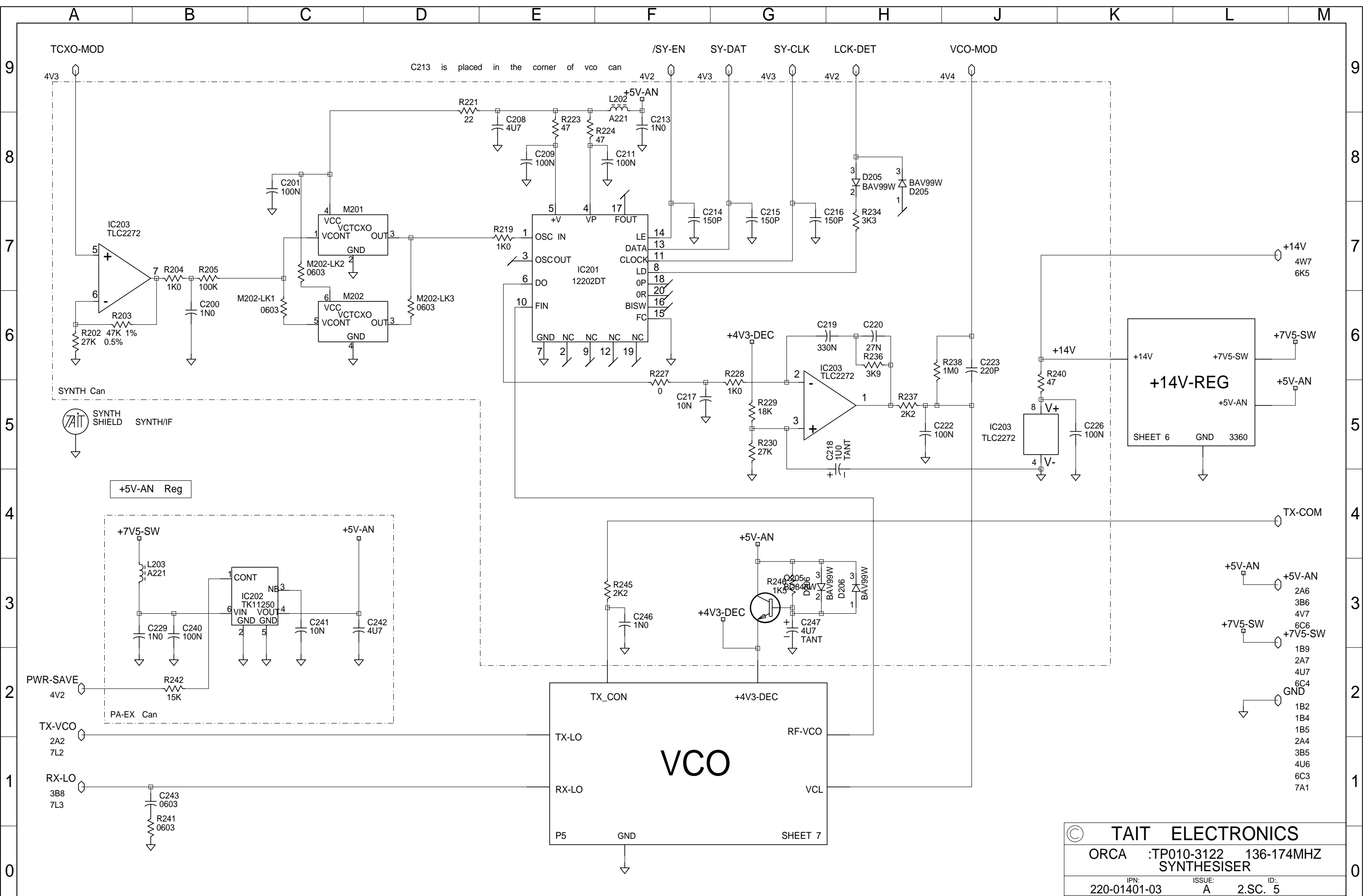


- PIN-SW 2R8
- TX-INHIBIT 2K9
- PWR-SET 2H9
- TX-CNTRL 2R4
- GATE-BIAS 2R4
- VCO-MOD 5J9
- SY-DAT 5G9
- TCXO-MOD 5A9
- SY-CLK 5G9
- SY-EN 5F9
- PWR-SAVE 5A2
- LCK-DET 5H9
- RX-DET-AF 3R2
- RSSI 3R0
- FE-BIAS 3B8
- SOL-SET 3R3
- SOL-DET 3R2

**P.A.**  
**Synthesiser & VCO**  
**Receiver**

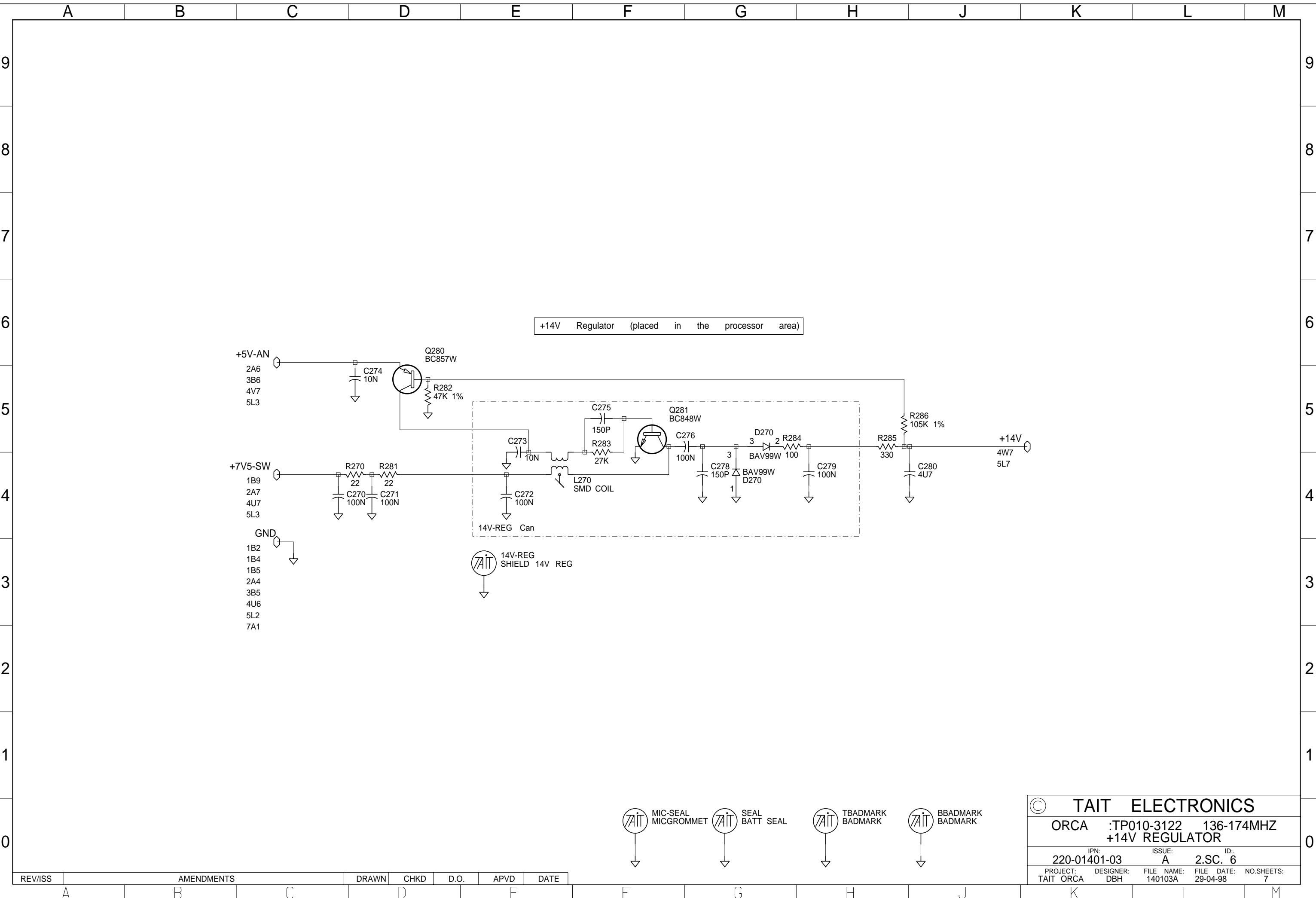
Room to Rent





REV/ISS	ORIGINAL	AMENDMENTS	DRAWN	CHKD	D.O.	APV/D	DATE
P1			DBH				



© TAIT ELECTRONICS	
ORCA :TP010-3122	136-174MHZ
SYNTHESISER	
IPN: 220-01401-03	ISSUE: A
ID: 2.SC. 5	
PROJECT: TAIT ORCA	DESIGNER: DBH
FILE NAME: 140103A	FILE DATE: 29-04-98
NO.SHEETS: 7	

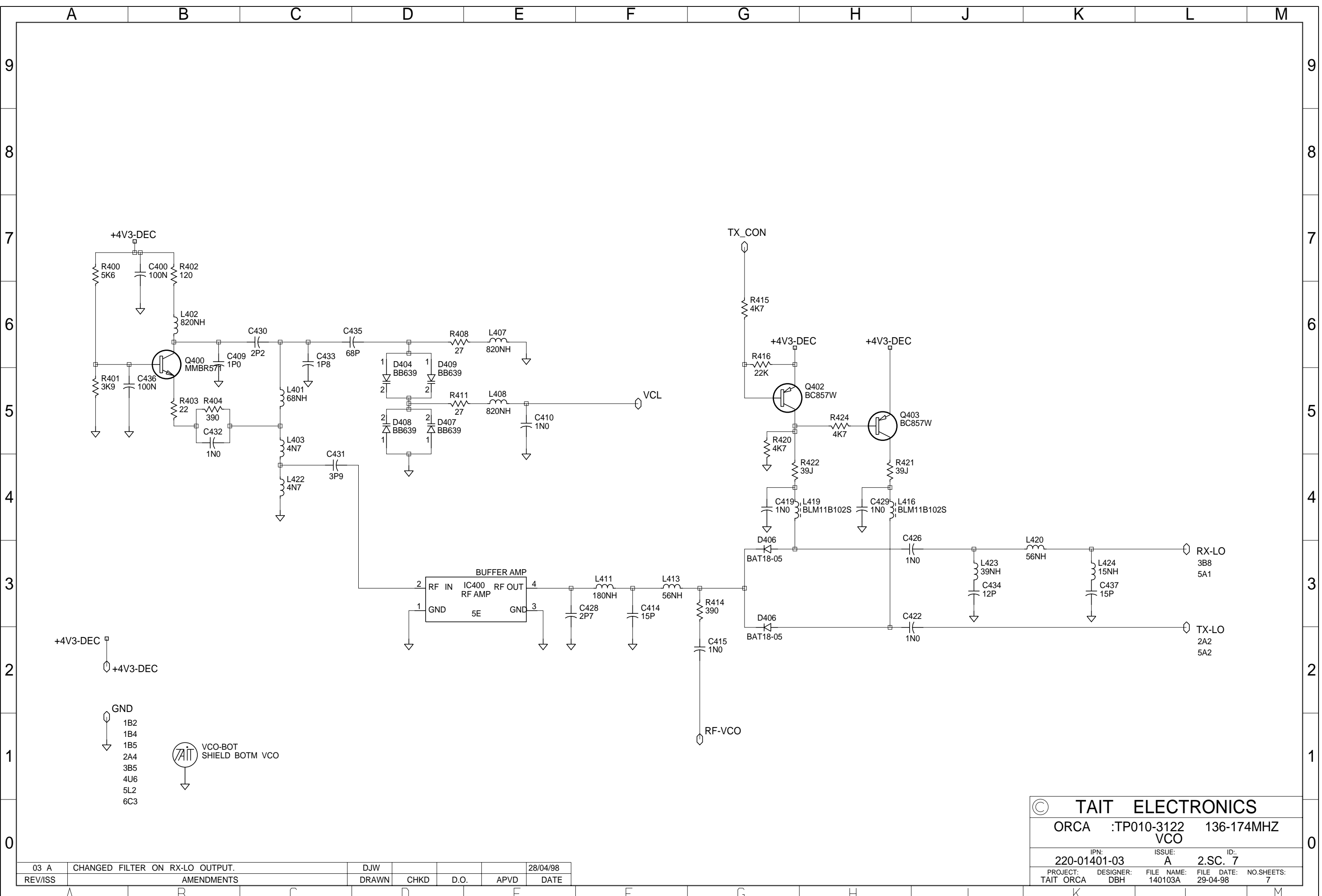
REV/ISS	AMENDMENTS	DRAWN	CHKD	D.O.	APVD	DATE



-   
 MIC-SEAL  
MICGROMMET
-   
 SEAL  
BATT SEAL
-   
 TBADMARK  
BADMARK
-   
 BBADMARK  
BADMARK

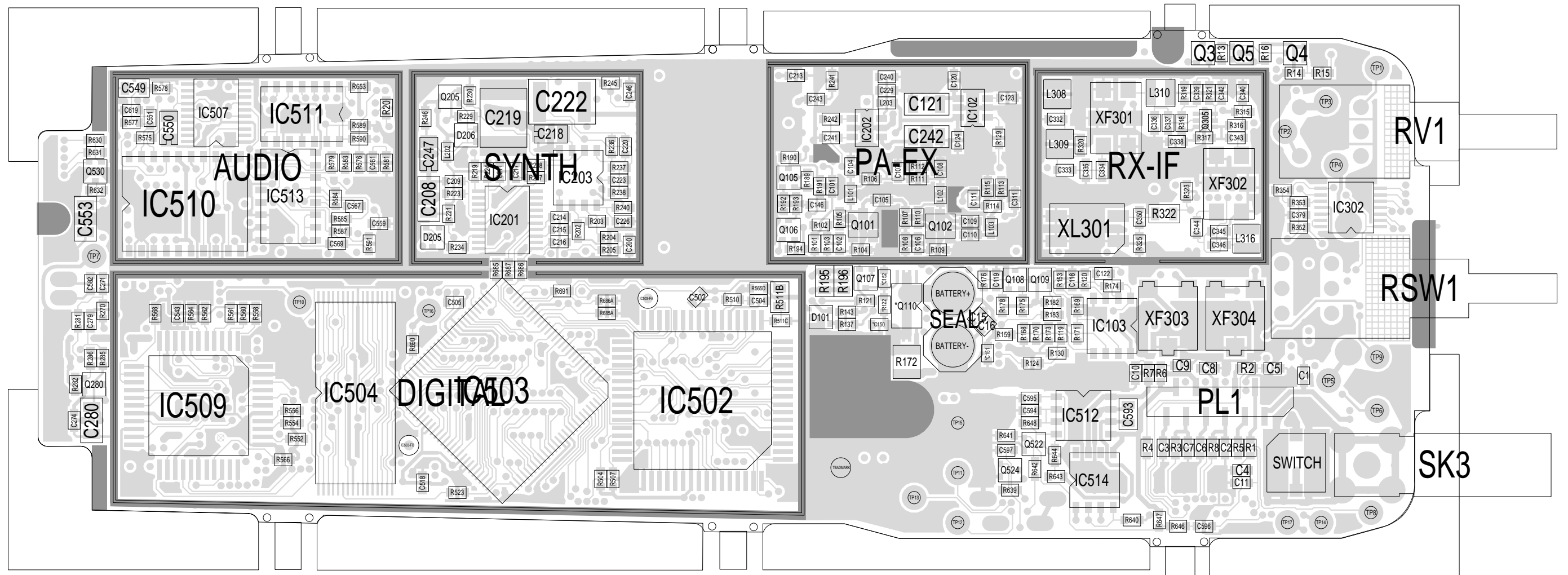
<b>TAIT ELECTRONICS</b>				
ORCA		:TP010-3122		136-174MHZ
<b>+14V REGULATOR</b>				
IPN:		ISSUE:		ID:
220-01401-03		A		2.SC. 6
PROJECT:	DESIGNER:	FILE NAME:	FILE DATE:	NO.SHEETS:
TAIT ORCA	DBH	140103A	29-04-98	7

REV/ISS	AMENDMENTS	DRAWN	CHKD	D.O.	APVD	DATE



© TAIT ELECTRONICS				
ORCA	:TP010-3122	136-174MHZ	VCO	
IPN:	ISSUE:	ID:		
220-01401-03	A	2.SC. 7		
PROJECT:	DESIGNER:	FILE NAME:	FILE DATE:	NO.SHEETS:
TAIT ORCA	DBH	140103A	29-04-98	7

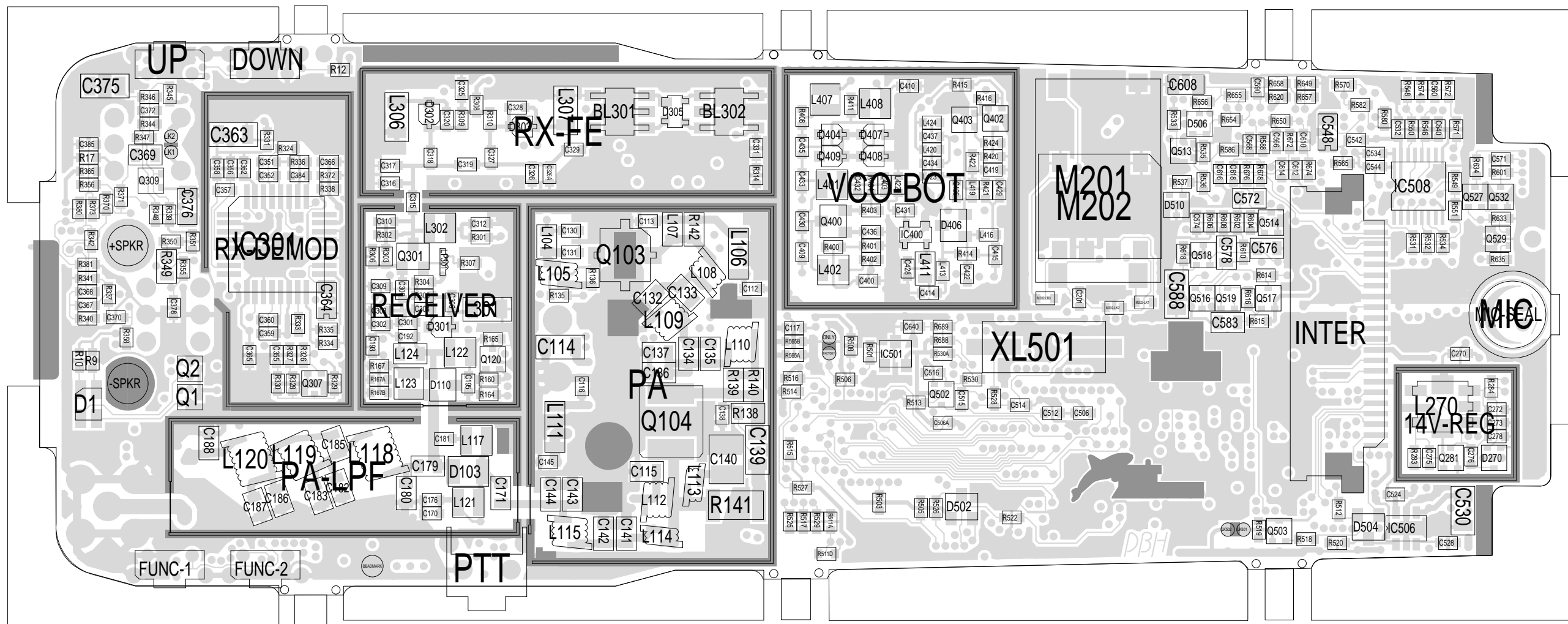
03 A	CHANGED FILTER ON RX-LO OUTPUT.	DJW				28/04/98
REV/ISS	AMENDMENTS	DRAWN	CHKD	D.O.	APVD	DATE



TAIT ELECTRONICS	IPN: 220-01401-03	ISS: -03A	ID: 1.TA	DATE: 29 Apr 1998
ORCA VHF PCB LAYOUT - TOP SIDE				

Scale: 2.3:1 ; Rotation: 0 degrees





TAIT ELECTRONICS IPN: 220-01401-03 ISS: -03A ID: 6.BA DATE: 29 Apr 1998  
 ORCA VHF PCB LAYOUT - BOTTOM SIDE

Scale: 2.3:1 ; Rotation: 0 degrees